

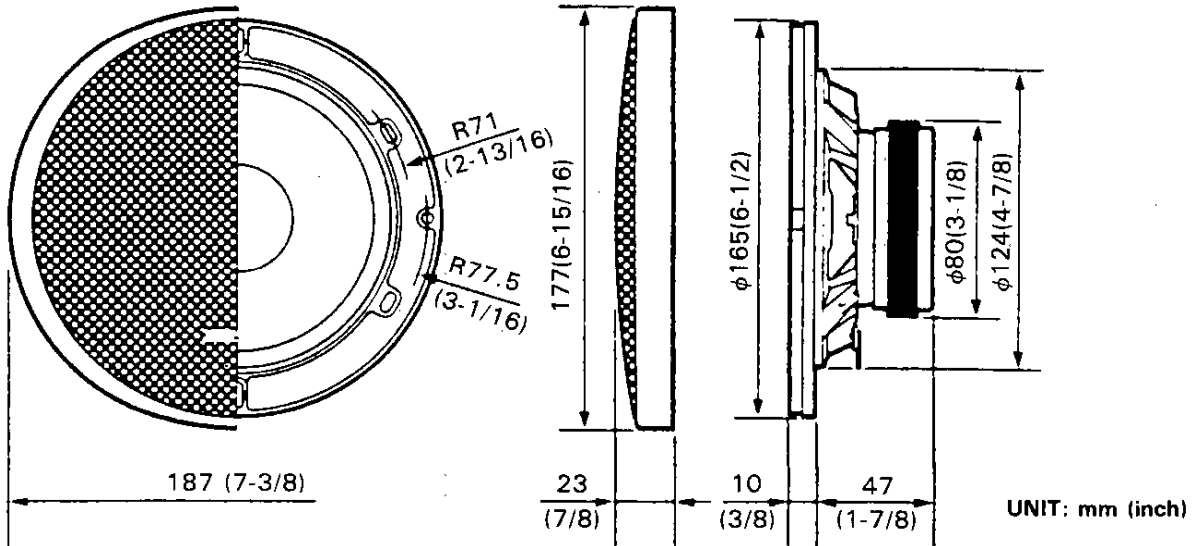
KFC-W106

SERVICE MANUAL




KENWOOD

©1990-2 PRINTED IN JAPAN
B51-6149-00(T) 1336

EXTERNAL VIEW



PARTS INCLUDED

-  $\phi 4 \times 30 (\phi 3/16 \times 1 1/16)$ X8
-  X8
-  X1

PARTS LIST

★ New parts
 Parts without **Parts No.** are not supplied.
 Les articles non mentionnés dans le **Parts No.** ne sont pas fournis.
 Teile ohne **Parts No.** werden nicht geliefert.

Ref No.	New Parts	Parts No.	Description
	★	B06-0382-02	GRILLE
	★	F09-0940-03	PROTECTOR
	★	N99-1134-04	SCREW SET
	★	T10-0450-03	SPEAKER
	★	490-0155-05	BUTYL RUBBER

SPECIFICATIONS

- Speaker 16 cm (6 in) PP
Cone Type
227 g (8 oz) Magnet
- Peak Power 150 Watts
- Sensitivity 89 dB/W at 1 m
- Frequency Response 45 Hz ~ 8,000 Hz
- Impedance 4 ohms
- Weight per speaker with Grille 0.9 kg (2 lb)/pc.

(KENWOOD follows a policy of continuous advancements in development.
 For this reason specifications may be changed without notice.)

KENWOOD CORPORATION

Shirogaki Shibuya Building, 17-5, 2-chome Shibuya, Shibuya-ku, Tokyo 150, Japan

KENWOOD U.S.A. CORPORATION

2201 East Dominguez Street, Long Beach, CA 90810,
 550 Clark Drive, Mount Olive, NJ 07828, U.S.A.

KENWOOD ELECTRONICS CANADA INC.

P.O. BOX 1075, 959 Gana Court, Mississauga, Ontario, Canada L4T 4C2

TRIO-KENWOOD U.K. LTD.

KENWOOD House, Dwight Road, Watford, Herts, WD1 6BB United Kingdom

KENWOOD ELECTRONICS BENELUX N.V.

Mechelsesteenweg 415 B-1930 Zaventem, Belgium

KENWOOD ELECTRONICS DEUTSCHLAND GMBH

Rembrucker-Str. 15, 60556 Heusenstamm, West Germany

TRIO-KENWOOD FRANCE S.A.

13 Boulevard Ney, 75018 Paris, France

KENWOOD LINEAR S.p.A.

20125 MILANO-VIA ARBE, 50, ITALY

KENWOOD ELECTRONICS AUSTRALIA PTY, LTD. (INCORPORATED IN NSW)

4E Woodcock Place, Lane Cove, N.S.W. 2066, Australia

KENWOOD & LEE ELECTRONICS, LTD.

Wang Kee Building, 4th Floor, 34-37, Connaught Road, Central, Hong Kong